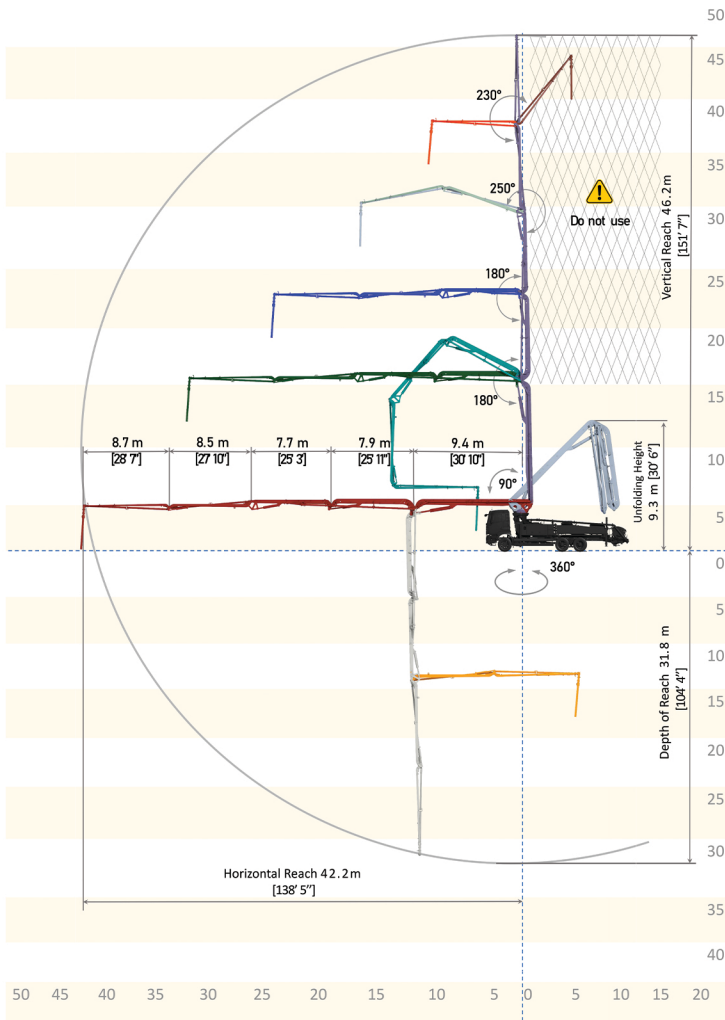




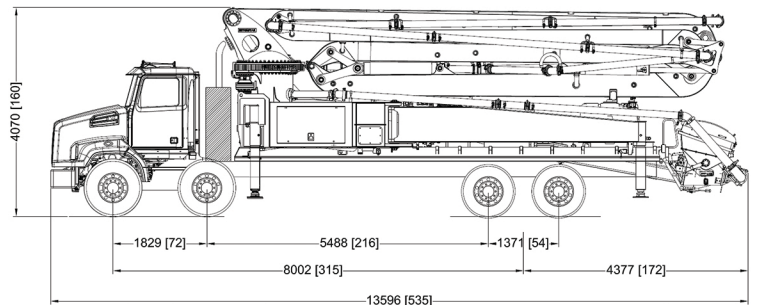
H47-5RZ

BOOM WORKING DIAGRAM



PUMP GROUP

Pump Group	BST 47.14H 5RZ (OPT.)	BST 47.16 5RZ (STD.)	BST 47.20LS 5RZ (OPT.)
Tho. Conc. Output (max) (Rod Side)	140 m ³ / h (183,11 yd ³ / h)	160 m ³ / h (209,27 yd ³ / h)	200 m ³ / h (261,58 yd ³ / h)
Tho. Conc. Pressure (max) (Rod Side)	85 bar (1232,82 psi)	85 bar (1232,82 psi)	85 bar (1232,82 psi)
Stroke	26 Stroke / min	26 Stroke / min	27 Stroke / min
Concrete Cylinder Dimensions	230 mm x 2100 mm (9,05" x 82,68")	250 mm x 2100 mm (9,84" x 82,68")	250 mm x 2500 mm (9,84" x 98,42")
Remote Control	HBC	HBC	HBC
Cooler	Electric / Hydraulic	Electric / Hydraulic	Hydraulic



(* Standard pump model is BST 47.16 5RZ.

(* Dimensions may vary depending on truck model.



SCAN QR CODE:
betonstar.com

STANDARD EQUIPMENT

Hopper Capacity	: 650 lt (171,71 gal)
Switching System	: Electromagnetic Sensor
Concrete Valve	: S Valve System
Electric Box	: IP65 PLC Controlled
Remote Control	: Included
Converter Box	: Included
Water Pump	: 67 lpm (17,7 gpm)
Water Tank Capacity	: 650 lt (171 gal)
Water Hose	: 15 m (49'3")
Hopper Grease Lubrication System	: Electrically Controlled Lubrication System
Driven by	: Gearbox (Stiebel)
Outrigger-Integrated Tank	: Fuel Supply
End Hose Squeeze Valve	: Included
Hydraulically Driven Fan	: Included
Hopper Vibrator	: Included

SUPPORT LEGS SYSTEM

Front Legs	: Type X
Rear Legs	: Side Hydraulic Swing

BOOM SYSTEM

Boom Type	: RZ
Sections	: 5
Boom Swing Time	: 174 second
Boom Swinging Angle	: 360°
Delivery Line	: 125 mm (4,92") (DN 125)
End Hose	: 3 m (9'10") 4" Diameter
Vertical Reach	: 46.2 m (151'7")
Horizontal Reach	: 42.2 m (138'5")
Unfolding Height	: 9.3 m (30'6")

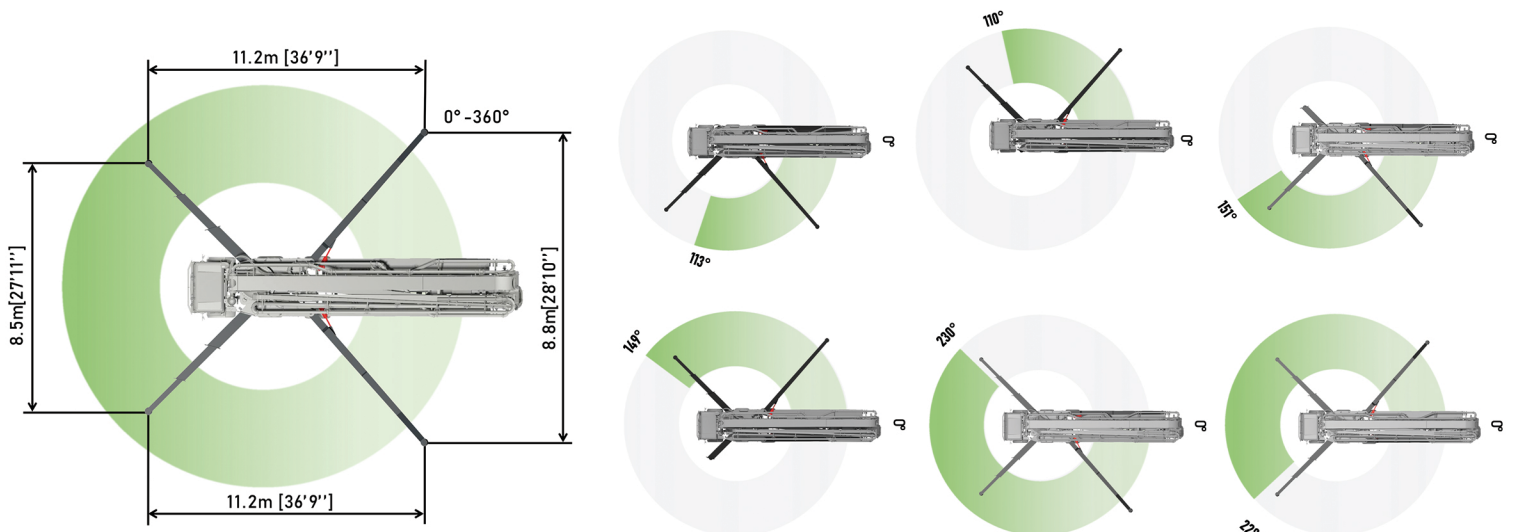
OPTIONS

- Stability Control
- Air Compressor
- High Pressure Cleaning Kit (140 bar [2030.5 psi])
- Water Tank Heater
- Oil Tank Heater
- Hopper Level Sensor

OPERATING SYSTEM

- SmartStar Control
- 7" Colour SmartStar Display
- IP69K Electronic Keypad
- Fault Diagnosis
- Fuel Economy Mode
- Switch Failure Mode
- Automatic Power Regulation
- Automatic Agitator
- Mixer Safety Switch

OPERATING CONDITIONS



(* All data shown is theoretical and may be changed without notice.



SCAN QR CODE:
betonstar.com